

5000.1010K2M Low Profile DATA SHEET



KIT CONTAINS

WALL MOUNTED DRAIN
WITH GLASSLINE
LOW PROFILE OUTLET
HIGHLINE CUSTOM

5002.1010 | 5003.1010 Glassline Module

For right-aligned shower screen

For left-aligned shower screen



ITEM NUMBER R

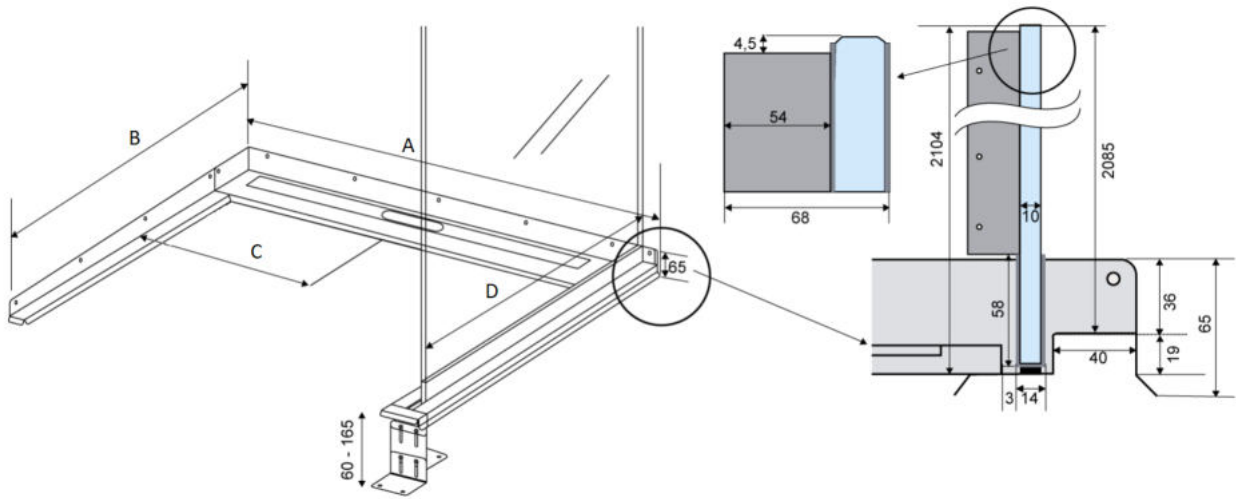
5002.1010

ITEM NUMBER L

5003.1010

Specifications

| | | |
|-----------------------------------|---------------------------|-------------------------------|
| MATERIAL | SURFACE | FLOORING |
| 1,5 mm stainless steel (AISI 304) | Pickled | Tiles |
| MEMBRANE | FLOOR CONSTRUCTION | INSTALLATION WIDTH (A) |
| Liquid or sheet membrane | Concrete/wood | 1001 mm |
| INSTALLATION DEPTH (B) | CENTRE (C) | SHOWER SCREEN SIZE (D) |
| 1101 mm | 501 mm | 1000 mm |



1417.0050 - Low Profile Outlet

Linear 1417.0050

Ø 50 mm horizontal drain

The odour barrier can be removed for cleaning

Can be rotated 180 degrees if a rear-facing outlet is required

Note: Odour barrier is VA-approved

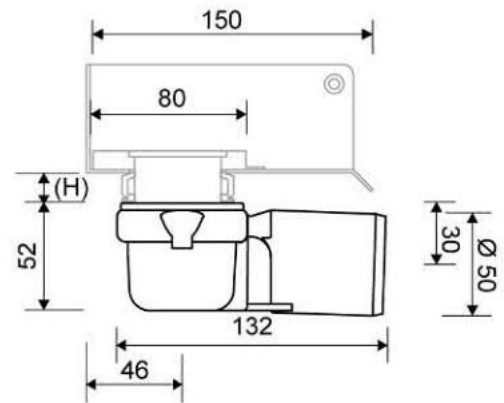


Specifications

| | | |
|----------------------------|---------------|--|
| ITEM NUMBER | GTIN NUMBER | WEIGHT INCLUDING PACKAGING |
| 1417.0050 | 5707692007915 | 500 g |
| WEIGHT EXCLUDING PACKAGING | MATERIAL | USAGE |
| 350 g | Plastic (PP) | Line drain |
| BARRIER | GASKET | CAPACITY |
| With (odour barrier) | EPDM | 0.6 l/s |
| SIDE INLET | CENTER | FITS DRAIN UNIT |
| Without | 30 mm | 1001, 1002, 1003, 1004, 1100, 3002, 3004, 5002, 5003, 4004 |

FITTING HEIGHTS - LINE FAUCETS 1001, 1002, 1003, 1004

| Ø | Outlet direction | 300 | 600 | 700 | 800 | 900 | 1000 | 1200 |
|---------|------------------|-------|-------|-------|-------|-------|-------|-------|
| Ø 50 mm | Horizontal | 64 mm | 68 mm | 69 mm | 70 mm | 71 mm | 72 mm | 74 mm |



1950.1000 - 1000mm Drain Body

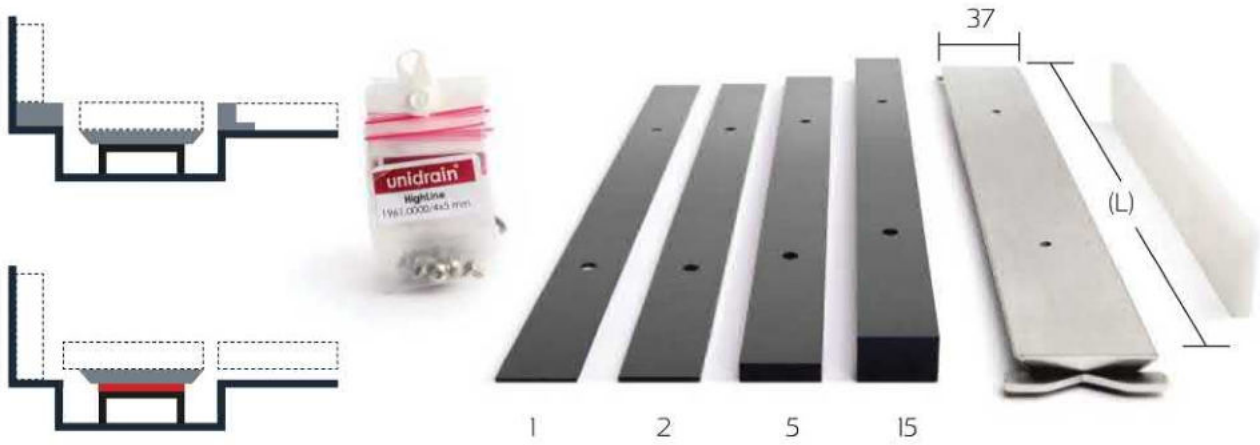
HighLine | Custom

The set consists of a Highline Custom base to place tile onto, heightener set and screws.
 Tile can overhang the Highline Custom to achieve a larger visual length.
 Consult with tile manufacturer for strength of tile and maximum overhang.
 Must be assembled before mounting.



Specifications

| | | |
|----------------------------|----------------------------|----------------------------|
| ITEM NUMBER | GTIN NUMBER | WEIGHT INCLUDING PACKAGING |
| 1950.1000 | 5707692005362 | 2310 g |
| WEIGHT EXCLUDING PACKAGING | MATERIAL | USAGE |
| 2190 g | Stainless steel (AISI 304) | Line drain |
| SURFACE | LENGTH MODEL | HEIGHTENER SET |
| Brushed | 1000 mm | Plastic (PE) |
| LENGTH WITH/WITHOUT FRAME | | |
| 933/955 mm | | |



1950.1000

5100.1000

GlassLine | Right and left-aligned shower screen

Design: Transparent

10 mm safety glass

No visible screws or fittings in the finished result

The glass surface is treated with Cleantec nanotechnology, making it water-repellent, less susceptible to limescale and easier to clean.



Specifications

| | | |
|--------------------|---|-------------------|
| ITEM NUMBER | LENGTH MODEL | HEIGHT (H) |
| 5100.1000 | 1000 mm | 2104 mm |
| DESIGN | MATERIAL | |
| Transparent | Stainless steel (AISI 304) 10 mm safety float glass | |

